

VELAJET

VE-1904X

1.9m ECO SOLVENT PRINTER



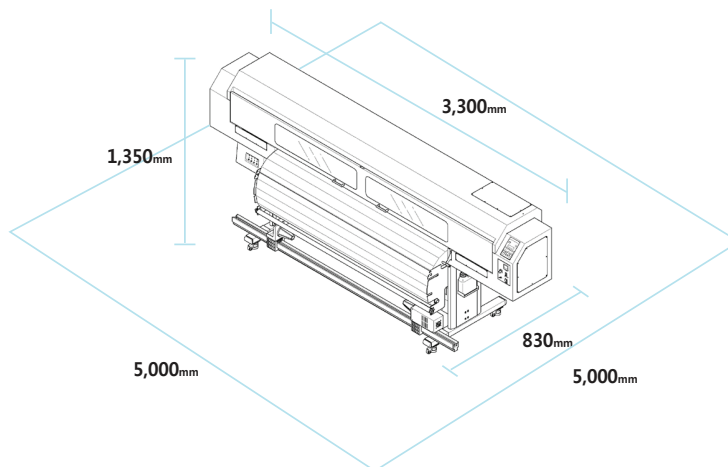
VELAJET
VE-1904X

Print Speed	115m ² /hr	50	m ² /hr	42	m ² /hr	32	m ² /hr
Print Resolution	720 x360 dpi 2Pass	720	0 x720 dpi 4Pass	720	0 x1,080 dpi 6Pass	720	0 x1,440 dpi 8Pass
Max Print Width	1,880mm						
Max Media Width	1,900mm						
Print Mode	Bi-Direction / Uni-Direction , Normal / Interleave						
Printhead	Panasonic printhead (8 heads)						
Color	4 Colors- Cyan, Magenta, Yellow, Black						
Ink	DGI original Eco solvent Ink						
Interface	TCP / IP , USB 3.0						
Environmental Range	Temperature : 22.5~27.5 °C Humidity : 40~70% Environment condition may affect on final printing quality.						
Electricity Requirements	Single Phase 220V (50/60Hz, AC) Main 5A, 3.3Kw Heater 15A						

※ All specifications are subject to change without notice.

Dimension for Installation

	Uncrated				Crated			
	Length (mm)	Width (mm)	Height (mm)	Weight (kg)	Length (mm)	Width (mm)	Height (mm)	Weight (kg)
Printer	3,300	830	1,350	330	3,800	1,150	1,710	570



For more details, please contact :



Saudi Arabia Office
Jeddah Prince Majed St.
Tel: +966 12 673 4061
Fax: +966 12 673 4312
www.goldenMarch.com
info@goldenmarch.com



ISO 9001:14001 Certified