

VELAJET

VE-3204X

3.2m ECO SOLVENT PRINTER



GOLDEN MARCH
FOR TRADING

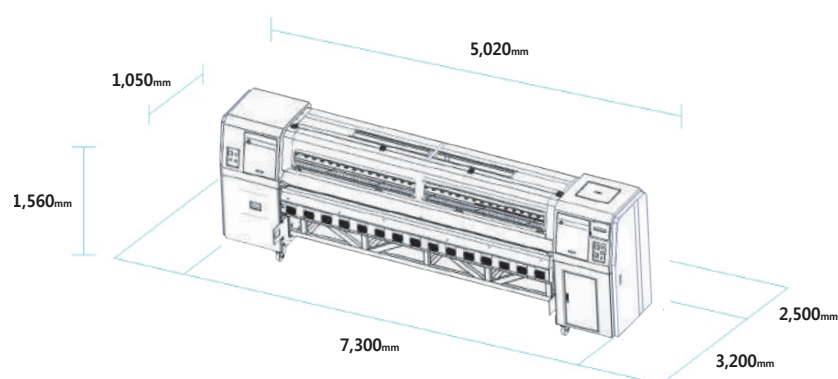
VELAJET
VE-3204X

Print Speed	150m ² /hr	105	m ² /hr	80	m ² /hr	55	m ² /hr
Print Resolution	720 x360 dpi 2Pass	54	0 x720dpi 2Pass	720	x720dpi 4Pass	72	0 x1,080dpi 6Pass
Max Print Width	3,320mm						
Max Media Width	3,370mm						
Print Mode	Bi-D irection / Uni-D irection , Normal / Interleave						
Printhead	Panasonic printhead (8 heads)						
Color	4 Colors- Cyan, Magenta, Yellow, Black						
Ink	DGI original Eco solvent Ink						
Interface	TCP / IP , USB 3.0						
Environmental Range	Temperature : 22.5~27.5 °C Humidity : 40~70% Environment condition may affect on final printing quality.						
Electricity Requirements	Single Phase 220V (50/60Hz, AC) Main 5A, 6.6Kw Heater 20A						
Optional equipment	Dual roll printing system (1.6m x 2rolls)						

※ All specifications are subject to change without notice.

Dimension for Installation

	Uncrated				Crated			
	Length (mm)	Width (mm)	Height (mm)	Weight (kg)	Length (mm)	Width (mm)	Height (mm)	Weight (kg)
Printer	5,020	1,050	1,560	940	5,200	1,150	1,940	1,640



For more details, please contact :



Saudi Arabia Office
Jeddah Prince Majed St.
Tel: +966 12 673 4061
Fax: +966 12 673 4312
www.goldenMarch.com
info@goldenmarch.com



ISO 9001:14001 Certified